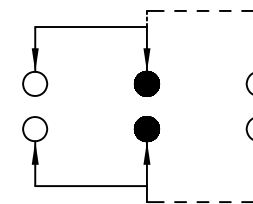
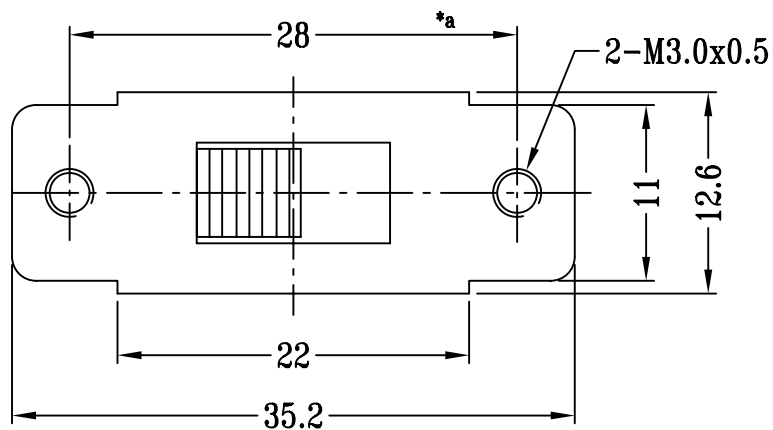
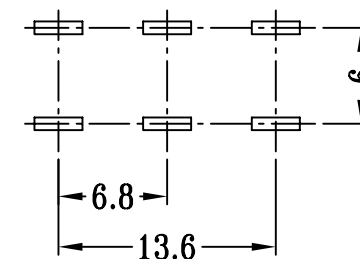
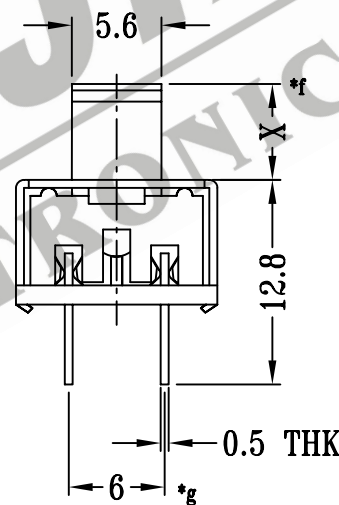
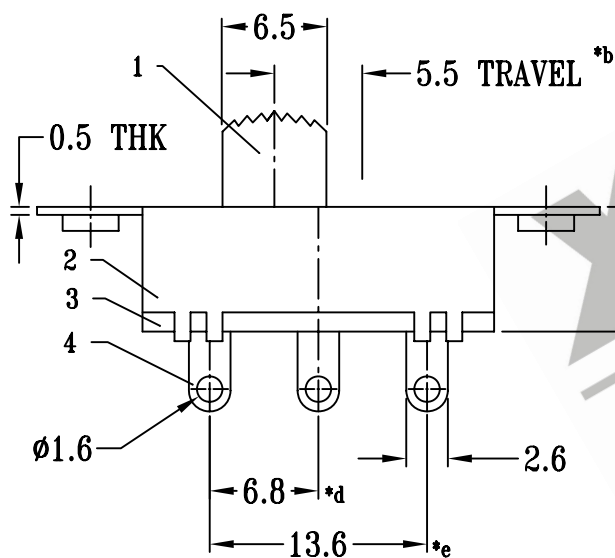


CAD FILE : Z:\LM\NEW\R14\SS\SS22K29



SCHMATIC (NON-SHORTING)



P.C.B. LAYOUT

注:带\*表示关键尺寸(7个)

8	CONTACT CLIP	PBS STRIP	2	Ag PLATED	TOLERANCE UNLESS SPECIFIED	SHENZHEN XIEJIA ELECTRONICS CO.,LTD.				
7	POSITION PLATE	STEEL STRIP	1	Ni PLATED						
6	STEEL BALL	STEEL	1	NATURAL	WITHIN: 1.5±0.1mm OVER: 1.5±0.2mm	ISSUE	DATE	DESCRIPTIONS		APPD
5	SPRING	STEEL WIRE	1	TEMPER						
4	TERMINAL	BRASS STRIP	6	Ag PLATED OVER Ni PLATED	TITLE: VERTICAL SLIDE SWITCH		UNIT : M M	DRWG NO :XJ-DR-SS22K29-00		
3	TERMINAL BASE	PHENOLIC RESIN	1	BLACK	MODEL: SS-22K29		SCALE : 2:1	DWN.	ZHOUYU	2004-3-17
2	FRAME	STEEL STRIP	1	Zn PLATED	ALL MATERIALS MUST BE COMPLIANT TO ROHS			CHK'D	FANGYING	2004-3-17
1	KNOB	PC	1	BLACK				APPD.	KANGXINAN	2004-3-17
NO.	PART NAME	MATERIAL	QTY.	FINISHING						